

20 – 160 kW at 3000 to 6000 min⁻¹



Characteristics of the R 500d Series:

- Low vibrations
- Long life-expectancy
- Easy maintenance
- Compact design
- High power to weight ratio
- Cost effective

The R 500d covers a power range up to 160kW at unparalleled size and weight. The R 500d Series is suitable for applications in many sectors:

- Marine Applications
- Power Generators
- Aviation Industry
- Automotive Industry
- Leisure Sector

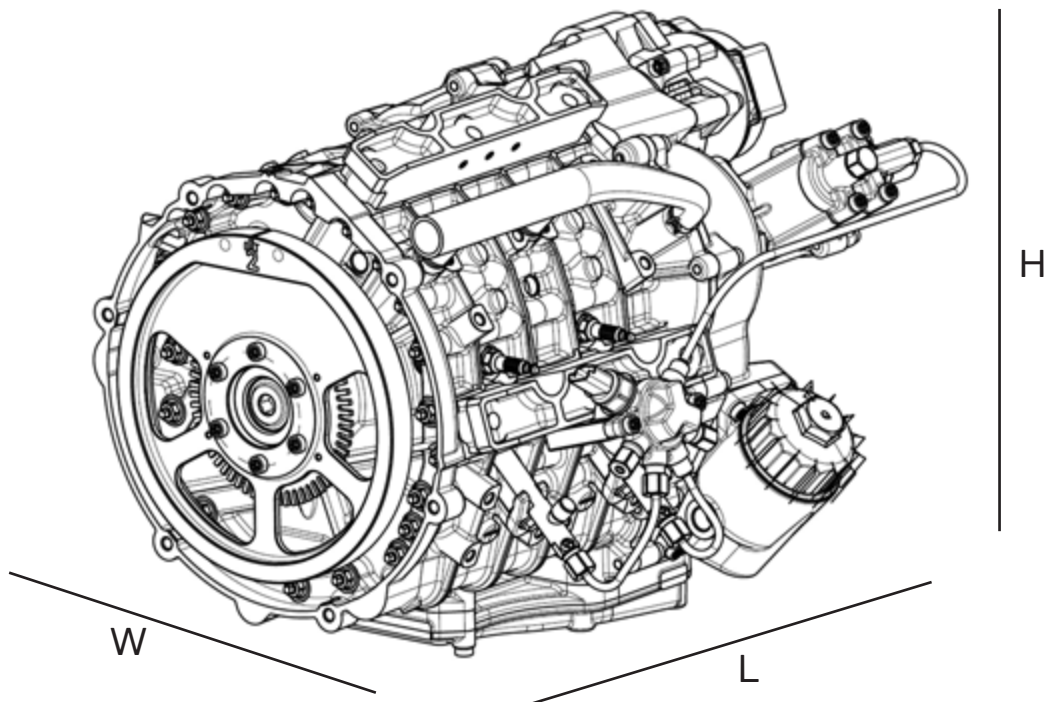
For the different applications, we offer two different modes:

- **Industrial Mode:** For stationary and uninterrupted running applications. Preserving the engine by running in a low-speed range. Low maintenance and a long duration.
- **Mobile Mode:** For mobile applications, which run in a higher power range.

TECHNICAL DATA

Specification¹ – All engines with turbo charger, intercooler & high pressure fuel injection

| ENGINE DATA | UNITS | R 501d | R 502d | R 503d | R 504d |
|---|-------------------|-----------------|-----------------|-----------------|-----------------|
| Number of Rotors | | 1 | 2 | 3 | 4 |
| Engine Displacement | cc | 508 | 2x508 | 3x508 | 4x508 |
| Peak Engine Speed | min ⁻¹ | 6000 | 6000 | 6000 | 6000 |
| Weight Core Engine | kg | 63 | 82 | 101 | 121 |
| Weight including starter, alternator, turbo charger, intercooler, fuel injection, blowby, wiring harness, ECU | kg | 72 | 96 | 124 | 150 |
| Performance | | | | | |
| Industrial Rating (3000 RPM) | kW/Nm | 22 / 70 | 44 / 140 | 66 / 210 | 88 / 280 |
| Mobile Rating (6000 RPM) | kW/Nm | 45 / 71 | 80 / 127 | 120 / 190 | 160 / 254 |
| Spec. Fuel Consumption ² (Ind./Mob. Rating) | g/kWh | 285 / 305 | 280 / 300 | 275 / 295 | 270 / 290 |
| Dimension (L x W x H) | mm | 495 x 480 x 435 | 572 x 480 x 435 | 683 x 480 x 435 | 793 x 480 x 435 |



1. The information on this data sheet is not binding and it is for information purpose only.
2. Best fuel consumption, Diesel-fuel with the density 0.835 kg/dm³ at 15°C.